

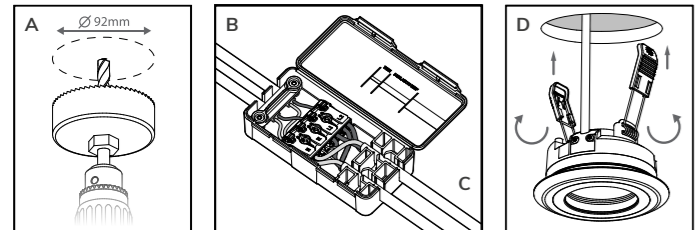
LP110 Downlight only

LP110WH3K / LP110WH4K

Downlight installation instructions

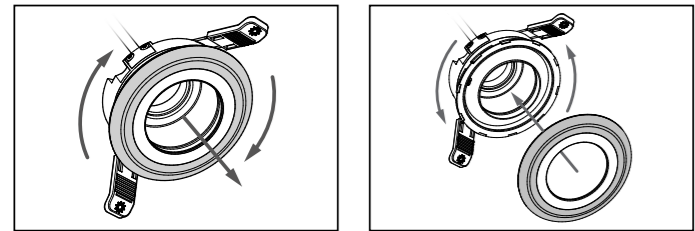
Before you start, all our products must be installed in accordance with the latest amendment of wiring regulation BS7671. All work undertaken should be carried out by a competent electrician and adhered to the Electricity at Work Regulations 1989 and associated H&S practices. Remember to switch off mains power and plan where the downlight will be installed.

1. Cut a circular hole – exactly 92mm in diameter – in the ceiling (A).
2. The downlight (and plugin, if there is one) will be pre-wired into the junction box (B).
3. Take a mains supply feed from the lighting circuit. Strip off the end of the cable and connect into the junction box (C). See wiring diagram below.
4. Install into the ceiling (D).

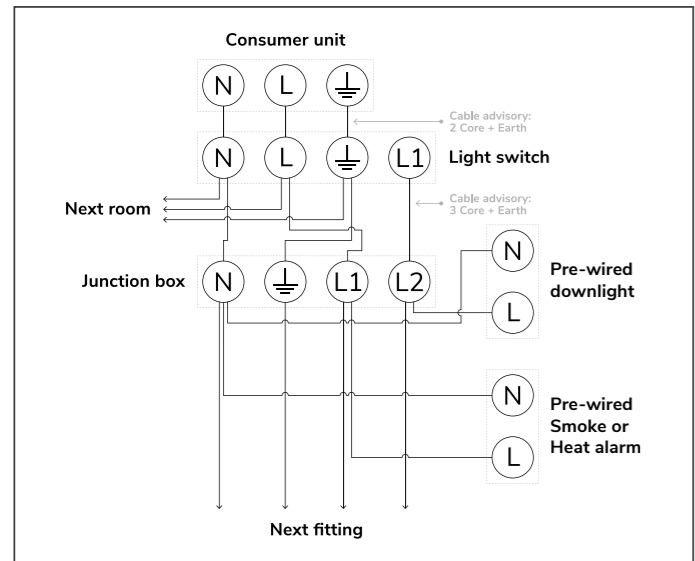


LP110 Downlight bulb replacement

1. Before you start, make sure the downlight is switched off.
2. To remove the bulb, pull the downlight out from its hole.
3. Twist the bulb clockwise and it will then release.
4. To attach the new bulb, line up the indicators on the back of the bulb with the downlight and twist anticlockwise until the bulb stops turning.



LP110 Downlight wiring diagram



LP110 Downlight specification

Lumens	600lm
Wattage	8.5W
Voltage	AC 220-240V 50Hz
Dimmable	Trailing Edge
Fire rated	30/60/90 – Solid Joist 30 – Metal Webbed Joist & I-Joist
Built-in driver	Yes
Colour temperature	3000K/4000K
Cut-out size	92mm
Warranty / hours	5 years / 50,000 hours
Colour rendering index (CRI)	>80
Beam angle	100 degrees°
Product depth / diameter	55mm / 110mm
kWh per 1000hr life	8.5 kWh
Luminaire efficiency	70.5 lm/w

LP110 Mains powered Smoke alarm

LP110WH3KMBWSA / LP110WH4KMBWSA

Installation instruction for plugin only.
To install the downlight follow installation of downlight only.

- Our Smoke alarm can only be installed within a Lumi-Plugin downlight.
- Mains powered (110-230V AC) with a CR2 lithium back-up battery.
- RF interlink capabilities with other alarms in the Cavius Wireless Family – max 32 alarms.

Install Smoke alarms in:

- Bedrooms.
- Rooms between possible fire sources.
- Landings.

DO NOT install Smoke alarms in:

- Dusty rooms.
- Kitchens, garages, laundries, or too close to fire places.
- Areas where dampness, gases or smoke could occur – install our Heat alarm instead.
- Rooms where the temperature goes outside the range of +4 degrees to 38°C or above 90% relative humidity, not condensing.
- At the top of a high pointed ceiling, in ceiling corners and within 50cm of a wall.

+ Smoke alarm installation instructions

Before you start, all our products must be installed in accordance with the latest amendment of wiring regulation BS7671. All work undertaken should be carried out by a competent electrician and adhered to the Electricity at Work Regulations 1989 and associated H&S practices. Remember to switch off mains power and plan where the downlight will be installed.

1. Alarms will come pre-wired into the junction box.
2. Take a mains supply feed, strip off the end of the cable and connect into the junction box. See wiring diagram.

Please note: A dust cover protects the alarm from exposure to excessive dust, which could potentially damage the alarm. Only remove the dust cover in a clean and dust-free environment.

Please note: Placement should be a minimum of one Smoke alarm per floor and a maximum distance between alarms of 10 meters. Do not exceed 10m separation. Smoke alarm has been approved for ceiling installation only.

LP110 Mains powered Heat alarm

LP110WH3KMBWHA / LP110WH4KMBWHA

Installation instruction for plugin only.
To install the downlight follow installation of downlight only.

- Our Heat alarm can only be installed within a Lumi-Plugin downlight.
- Mains powered (110-230V AC) with a CR2 lithium back-up battery.
- RF interlink capabilities with other alarms in the Cavius Wireless Family – max 32 alarms.

Install Heat alarms in:

- Kitchens.
- Garages.
- Workshops.

DO NOT install Heat alarms in:

- Bedrooms.
- Landings.
- Hallways.

+ Heat alarm installation instructions

Before you start, all our products must be installed in accordance with the latest amendment of wiring regulation BS7671. All work undertaken should be carried out by a competent electrician and adhered to the Electricity at Work Regulations 1989 and associated H&S practices. Remember to switch off mains power and plan where the downlight will be installed.

1. Alarms will come pre-wired into the junction box.
2. Take a mains supply feed, strip off the end of the cable and connect into the junction box. See wiring diagram.

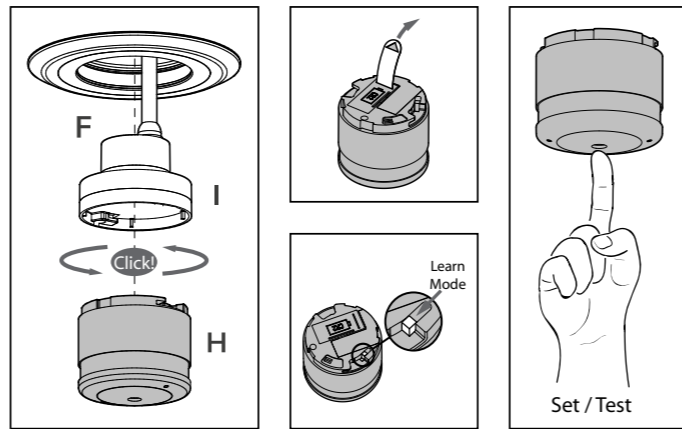
Please note: A dust cover protects the alarm from exposure to excessive dust, which could potentially damage the alarm. Only remove the dust cover in a clean and dust-free environment.

Smoke alarm specification

Battery type	Non-replaceable 10-year battery
Interlink frequency	868MHz
Operating temperature	-10°C to +70°C
Voltage	110V AC, 230V DC
Power consumption	161mAh in non-alarm condition
Sound	Audible indicator minimum 85dB @ 3 metres in anechoic successive tones

Set and connect Smoke alarms

1. At the centre of the downlight (F), pull down the Smoke alarm (I). Twist anticlockwise to release the alarm from the mains power (I) – you will hear a click.
2. Remove the isolation strip from the battery compartment. **Please note: RF connection is powered with the battery only – you do not have to connect the power supply. Do not remove the product label.**
3. On the back of each alarm, slide the switch to the 'Learn Mode' position. A red LED will light up. This will enable all alarms in the house to connect. **Please note: The 'Learn Mode' switch can only be used when the alarm is disconnected from the mains power supply unit (I).**
4. Press and hold the test button on one alarm – The Master – until it beeps and the red LED flashes. A signal will be sent to all the other alarms causing each red LED to flash. Once completed, the alarms can be returned to the downlights.

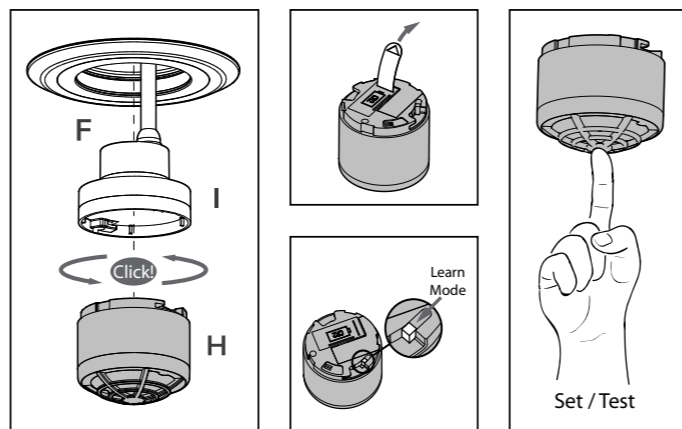


Heat alarm specification

Battery type	Non-replaceable 10-year battery
Interlink frequency	868MHz
Operating humidity	Up to 95% RH non-condensing
Operating temperature	+4°C to +38°C (tested 0°C to 55°C)
Voltage	110V AC / 230V DC
Power consumption	145mAh in non-alarm condition
Sound	Audible indicator minimum 85dB @ 3 metres in anechoic successive tones

Set and connect Heat alarms

1. At the centre of the downlight (F), pull down the Heat alarm (H). Twist anticlockwise to release the alarm from the mains power (I) – you will hear a click.
2. Remove the isolation strip from the battery compartment. **Please note: RF connection is powered with the battery only – you do not have to connect the power supply. Do not remove the product label.**
3. On the back of each alarm, slide the switch to the 'Learn Mode' position. A red LED will light up. This will enable all alarms in the house to connect. **Please note: The 'Learn Mode' switch can only be used when the alarm is disconnected from the mains power supply unit (I).**
4. Press and hold the test button on one alarm – The Master – until it beeps and the red LED flashes. A signal will be sent to all the other alarms causing each red LED to flash. Once completed, the alarms can be returned to the downlights.



Testing the Smoke alarm

All alarms must be tested regularly, after installation and at least once a month, to ensure they are operating and positioned correctly.

Press the test button on any alarm (H) for at least 10 seconds. A test signal will connect all other alarms and the LED will flash every eight seconds for two minutes. Need to stop a test? One short press of the test button will do it.

Please note: Test function also transmits a weaker RF signal to ensure an optimal operation in normal conditions.

Smoke alarm signals

Normal mode: The green LED will flash every 48 seconds to show the alarm is connected to mains power and operating correctly – after installation, it may take up to one minute to light up.

Pause/Hush mode: Sometimes cooking can cause a false alarm. Simply press the test button on the Smoke alarm with the flashing LED to pause for 10 minutes – until things cool down.

Please note: It is vital to locate the source of the alarm before using the hush function to ensure safety and prevent a life-threatening situation.

Smoke alarm mode

When smoke is detected, the alarm nearest to the source will sound and the red LED will flash. All other connected alarms will also sound after a short delay. Our alarms respond in two ways:

1. A single beep every eight seconds – this indicates that the alarms are connected and functioning.
2. Three short beeps every eight seconds – this indicates a smoke sensor fault. Use a vacuum cleaner to remove any dust and test again. If the problem continues please contact us on +44 (0) 33 0380 1329.

The Cavius Wireless Family uses two different alarm signals:
Alarm Signal 1 --- --- --- is a life-threatening alarm for smoke, heat or high-level CO.
Alarm Signal 2 - - - is an alarm for flood or low-level CO.

Please note: The red LED will only flash on one alarm to make it easier to identify the source.

Smoke alarm low-battery signal

Our alarms have a non-replaceable battery that will last up to 10 years. When the battery is reaching the end of its charge, a short beep will sound out every 48 seconds for 30 days. This indicates that the alarm must be replaced.

Smoke alarm maintenance and troubleshooting

The alarms should be vacuum cleaned once per quarter, to remove dust particles, and they can be wiped with a damp cloth. NEVER open an alarm. High humidity condensation can be resolved by drying the alarms with a clean cloth. If the alarms do not work when the test button is pushed, the probable cause is a power failure.

You can find more solutions to FAQs at lumi-plugin.com.

Testing the Heat alarms

All alarms must be tested regularly, after installation and at least once a month, to ensure they are operating and positioned correctly.

Press the test button on any alarm (H) for at least 10 seconds. A test signal will connect all other alarms and the LED will flash every eight seconds for two minutes. Need to stop a test? One short press of the test button will do it.

Please note: Test function also transmits a weaker RF signal to ensure an optimal operation in normal conditions.

Heat alarm signals

Normal mode: The green LED will flash every 48 seconds to show the alarm is connected to mains power and operating correctly – after installation, it may take up to one minute to light up.

Pause/Hush mode: Sometimes cooking can cause a false alarm. Simply press the test button on the Heat alarm with the flashing LED to pause for 10 minutes – until things cool down.

Please note: It is vital to locate the source of the alarm before using the hush function to ensure safety and prevent a life-threatening situation.

Heat alarm mode

When heat is detected, the alarm nearest to the source will sound and the red LED will flash. All other connected alarms will also sound after a short delay. Our alarms respond in two ways:

1. A single beep every eight seconds – this indicates that the alarms are connected and functioning.
2. Three short beeps every eight seconds – this indicates a heat sensor fault. Use a vacuum cleaner to remove any dust and test again. If the problem continues please contact us on +44 (0) 33 0380 1329.

The Cavius Wireless Family uses two different alarm signals:
Alarm Signal 1 --- --- --- is a life-threatening alarm for smoke, heat or high-level CO.
Alarm Signal 2 - - - is an alarm for flood or low-level CO.

Please note: The red LED will only flash on one alarm to make it easier to identify the source.

Heat alarm low-battery signal

Our alarms have a non-replaceable battery that will last up to 10 years. When the battery is reaching the end of its charge, a short beep will sound out every 48 seconds for 30 days. This indicates that the alarm must be replaced.

Heat alarm maintenance and troubleshooting

The alarms should be vacuum cleaned once per quarter, to remove dust particles, and they can be wiped with a damp cloth. NEVER open an alarm. High humidity condensation can be resolved by drying the alarms with a clean cloth. If the alarms do not work when the test button is pushed, the probable cause is a power failure.

You can find more solutions to FAQs at lumi-plugin.com.

Call us for more information
on +44 (0) 33 0380 1329 or
visit lumi-plugin.com

Information + Installation + Specification LP110

LUMI-PLUGIN



5-Year Guarantee



Dimmable



Fire Rated
30/60/90



50,000 Hours



Beam Angle
is 100°



Built-in driver



IC 4

Lumi-Plugin
Lindenmuth House
37 Lindenmuth Way
Greenham Business Park
Newbury, Berkshire
RG19 6HW
Company Number: 9152482



lumi-plugin.com

Oops! Sorry, if any items are missing, please call us on +44 (0) 33 0380 1329.
Please don't throw me away – keep for your reference or recycle with the box.

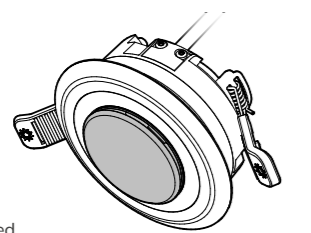
LP110 Sprinkler

LP110WH3KSPK / LP110WH4KSPK

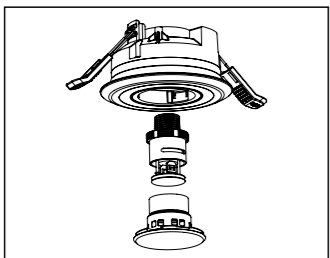
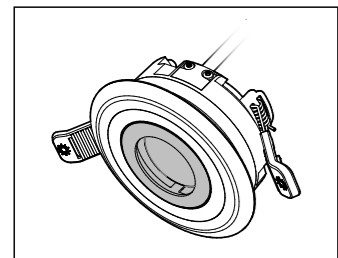
Installation instruction for plugin only.
To install the downlight follow installation of downlight only.

+ Sprinkler installation instructions

- Sprinkler installation must be completed by an approved sprinkler installer.
- Lumi-Plugin downlights have been designed to work in conjunction with specific Rapidrop Sprinkler heads to enable commercial installations to LPS 1048 and residential installations to BS 9251:2014.
- All Sprinkler heads can be accessed without removing our downlight. If the downlight needs replacing, it can be removed over the sprinkler head by removing the concealed cover plate, this must be completed by an approved sprinkler installer.
- The original classification of Sprinkler response time index and water spray distribution remain unchanged as long as the installation instructions at rapidrop.com are adhered to.



Exposed surface only



Sprinkler specification		
Brand	RD107	RD205
K factor	5.6	4.9
Cover plate size	60mm (2-3/8")	
Link	Fusible link	
Maximum working pressure	12.1 bar (175 psi)	
Temperature rating	Sprinkler: 72°C (162°F) Cover plate: 60°C (140°F)	
Vertical adjustment	9.0mm (3/8")	

LP110 40mm alarm adapter

LP110WH3K40ADPT / LP110WH4K40ADPT

Installation instruction for plugin only.
To install the downlight follow installation of downlight only.

+ 40mm alarm adapter installation instructions

Before you start, all our products must be installed in accordance with the latest amendment of wiring regulation BS7671. All work undertaken should be carried out by a competent electrician and adhered to the Electricity at Work Regulations 1989 and associated H&S practices. Remember to switch off mains power.

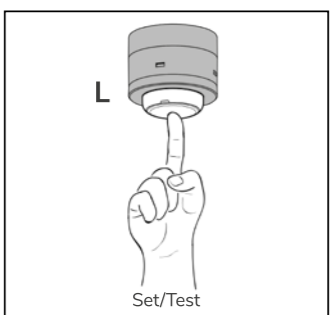
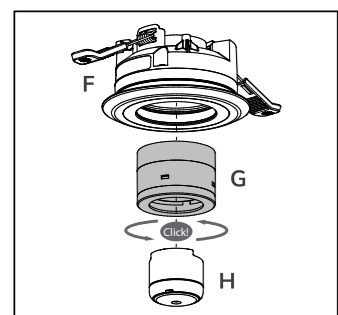
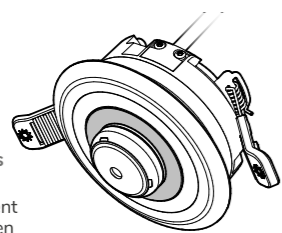
- At the centre of the downlight (F), pull out the 40mm alarm adapter(G).
- If replacing, remove the old alarm (H) by twisting it anticlockwise.
- Unpack and discard the base from the new 40mm alarm (H). Fit it into the adapter (G). Twist clockwise – you will hear a click.
- Return to centre of the downlight (F).
- Only Cavius 40mm alarms 2007, 3003 and 4002 are to be used.
- Alarm specification will come with the alarms.

Testing the alarm

All 40mm alarms must be fitted to an adapter (G) to test – no power, no sound. Push the button as shown in diagram (L).

Hush function: To reset after a false alarm, press the button as shown in the diagram. This will hush the alarm for 10 minutes before automatically resuming normal function.

Maintenance: The alarms should be vacuum cleaned once per quarter, and can be wiped with a damp cloth. NEVER open the alarm.



LP110 PIR sensor

LP110WH3KMPIR / LP110WH4KMPIR

Installation instruction for plugin only.
To install the downlight follow installation of downlight only.

+ PIR sensor installation instructions

Before you start, all our products must be installed in accordance with the latest amendment of wiring regulation BS7671. All work undertaken should be carried out by a competent electrician and adhered to the Electricity at Work Regulations 1989 and associated H&S practices. Remember to switch off mains power.

- Pull the PIR sensor out of the middle of the downlight.
- Unscrew and release the clear cap from the back.
- Wire up the PIR sensor through the middle of the downlight. See wiring diagram (right).
- Push the PIR back into the downlight.

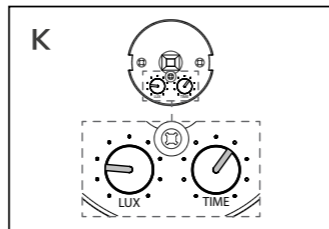
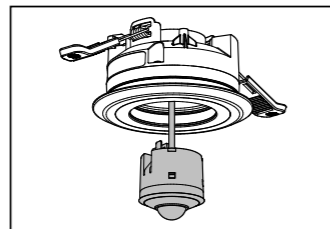
Set and connect PIR sensor

- Switch on the power; the sensor and its connected lamp will have no signal at the beginning. After 30sec warm-up, the sensor can start work. If the sensor receives the induction signal, the lamp will turn on. If there is no other induction signal to the sensor within 3-10sec, the lamp will turn off.
- Turn the plastic cover on the sensor anticlockwise so you can adjust time and LUX (K).
- Turn LUX dial anticlockwise to the minimum (3). If the ambient light is more than 3LUX, the sensor will not detect and the lamp will stop working. If the ambient light is less than 3LUX (darkness), the sensor will work. Under no induction signal condition, the sensor should stop working within 10sec ± 3sec.

PIR sensor installation advice

As the sensor responds to changes in temperature, avoid the following situations:

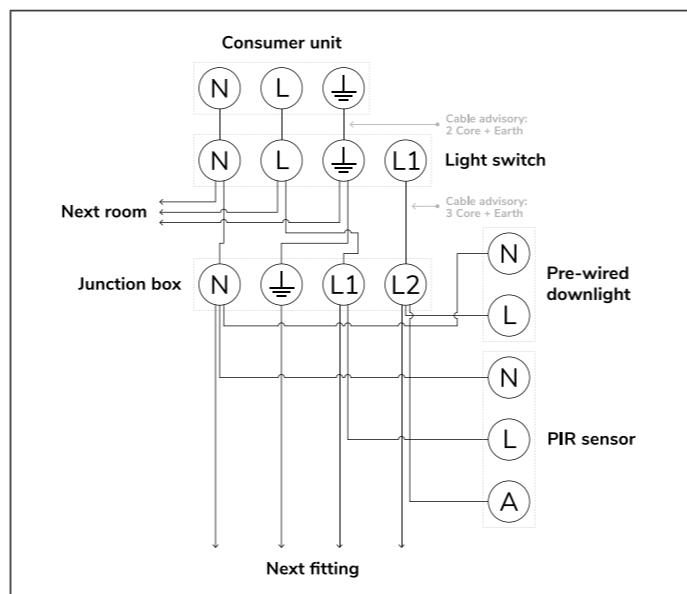
- Avoid pointing the sensor towards objects with highly reflective surfaces, such as mirrors etc.
- Avoid mounting the sensor near heat sources, such as heating vents, or air-conditioning units.
- Avoid pointing the sensor towards objects that may move in the wind, such as curtains, tall plants etc.



Exposed surface only

PIR sensor specification	
Ambient light	<3-2000 LUX adjustable
Detection distance	6m max.
Detection moving speed	0.6-1.5 m/s
Detection range	360 degrees
Installation height	2-4 metres
IP rating	IP54
Power consumption	0.5W
Voltage	AC 220-240V 50Hz
Rated load	Max 800W
Time delay	Min. 10sec, max. 15min
Working humidity	<93%RH
Working temperature	-20°C to +40°C

LP110 PIR sensor wiring diagram



LP110 Emergency light

LP110WH3KEM / LP110WH4KEM

Installation instruction for plugin only.
To install the downlight follow installation of downlight only.

+ Emergency light installation instructions

Before you start, all our products must be installed in accordance with the latest amendment of wiring regulation BS7671. All work undertaken should be carried out by a competent electrician and adhered to the Electricity at Work Regulations 1989 and associated H&S practices. Remember to switch off mains power.

- The Emergency light will come pre-wired in the junction box.
- Only connect the battery when the unswitched supply is fully assured. Even though these units are protected with a Deep Discharge Protection Circuit, the batteries can be damaged by being left in an uncharged state for prolonged periods. Ensure correct polarity.
- When the supply is present and the battery connected, check that the green LED indicator is illuminated showing that supply is healthy and the batteries are charging.

Please note: If the indicator is red there is a fault. If green everything is working well. Red indicator is only present when self-test or DALI control gear is chosen as an option.

Set and connect Emergency light

- Ensure the load is connected.
- Connect the battery.
- Switch on the unswitched supply – check the charge LED illuminates.
- Switch off the unswitched supply – check the charge LED extinguishes and the load LED illuminates at a reduced output.
- Enter the commissioning date on the battery pack.
- Switch on the unswitched supply.



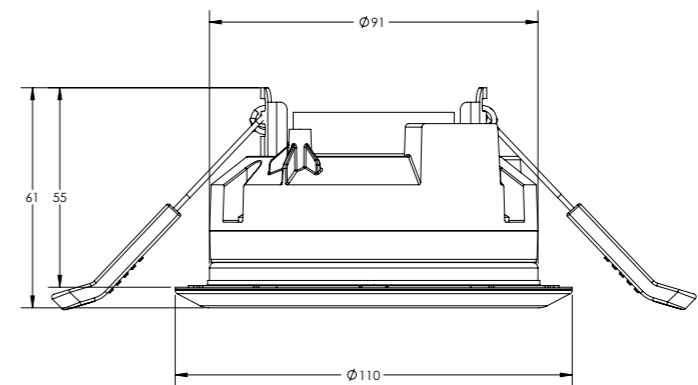
Exposed surface only

Emergency light specification	
Battery size / type	3.2V 3.8Ah LiFePO4
Beam angle	115° degrees
Voltage	240V
Light source	Samsung LH315B
Light source colour temperature	6500K
Non-maintained	Yes
Output at 550mA	201 lumens
Power rating	λ = 0.44 / 1.11W
Wiring method	Series connection via C4201 plug

Emergency light spacing table @ 550mA				
Mounting height	To wall		Between fittings	
	0.5 Lux	1.0 Lux	0.5 Lux	1.0 Lux
2m	3.8m	3.1m	9.1m	7.6m
2.5m	4.2m	3.3m	10.2m	8.3m
3.0m	4.5m	3.5m	11.0m	8.9m
4.0m	4.8m	3.5m	12.3m	9.6m
5.0m	5.0m	3.1m	13.2m	9.8m
6.0m	4.8m	2.1m	13.7m	9.6m
8.0m	3.5m	-	13.8m	7.0m
10.0m	-	-	12.1m	-

LP110 Downlight only dimensions

For other SKU dimensions please visit lumi-plugin.com/resources



- 2002/96/EC – Waste Electrical & Electronic Equipment (WEEE) No: WEE/AU4375YF
- 2011/65/EU – Restriction of the use of certain Hazardous Substances in EEE (RoHS)
- (EC) No 1907/2006 – The Registration, Evaluation, Authorisation and Restriction of Chemicals (REACH)
- DOP – all available at lumi-plugin.com



Thank you for choosing Lumi-Plugin

Lumi-Plugin Downlight

Lumi-Plugin + Emergency light

Lumi-Plugin + Sprinkler

Lumi-Plugin + Smoke alarm

Lumi-Plugin + Heat alarm

Lumi-Plugin + CO alarm

Lumi-Plugin + PIR sensor

Safety

Take note of these details to ensure the best performance and installation of our downlights.

- Only to be installed into the ceiling.
- Indoor use only.
- Dimmable – a trailing-edge dimmer can be used.
- All our products must be installed in accordance with the latest amendment of wiring regulation BS7671.
- All products are IP rated but depends on the SKU.
- Fire rated 30/60/90 minutes under BS EN 13635-2:2014.
- Always switch off mains power before installing or replacing.
- If the external flexible cable or cord of this luminaire is damaged, it shall be exclusively replaced by the manufacturer or the service agent or similar qualified person in order to avoid hazard.
- The light source contained in this luminaire shall only be replaced by the manufacturer or the service agent or similar qualified person.

Warning: Downlight contains mercury: 3.5mg
Safety Warning: Never look directly into the downlight when switched on.

Our legal bit

If the product fails within the guarantee period, Sleep Safe Systems Limited T/A Lumi-Plugin will replace it free of charge, but takes no responsibility for installation, operation or maintenance costs.

The guarantee period is invalid if:

- The downlight has been tampered with.
- The downlight has not been installed in accordance with local wiring regulations.
- Any of the downlight labels, manufacturing labels, rating labels or serial labels have been removed.

Lumi-Plugin reserves the right to change product specification without notice.

Our guarantee

Our mains Smoke and Heat alarms each have a 10-year guarantee. All of our other products come with a 5-year guarantee. Sprinkler system guarantee is given by sprinkler installer.

Product resources

We have created helpful, downloadable design files, data sheets and technical guides to ensure you have all the information you need to achieve the streamlined results and regulatory standards you're looking for.

Discover more at lumi-plugin.com/resources

